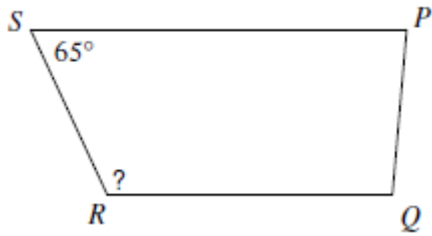


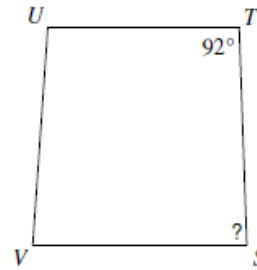
6.6 Trapezoid and Kite Properties

Name: _____ Assignment: _____

1. $\angle R =$ _____



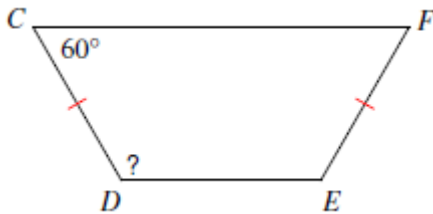
2. $\angle S =$ _____



3. $CD = 15\text{cm}$.

$\angle F =$ _____ $\angle D =$ _____

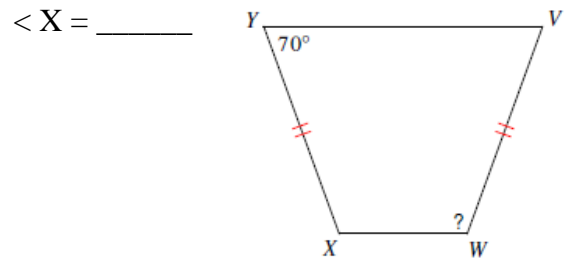
$\angle E =$ _____ $EF =$ _____



4. Name the bases of this trapezoid.

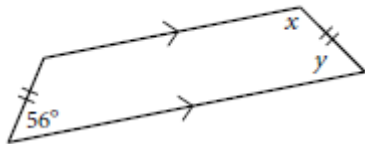
Bases:

$\angle V =$ _____ $\angle W =$ _____



5.

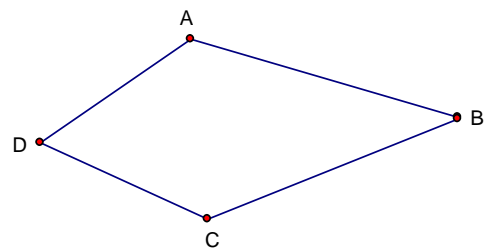
$x =$ _____, $y =$ _____



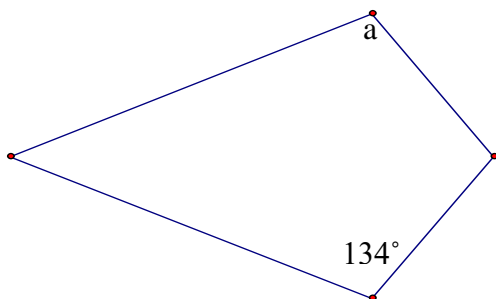
6. Polygon ABCD is a kite. If $AB = 12$ and $AD = 4$ find BC, DC, and the perimeter.

$BC =$ _____ $DC =$ _____

$BC =$ _____ $DC =$ _____



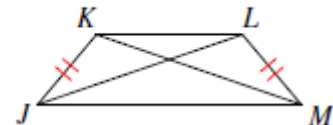
7. The figure below is a kite. Find a .



8.

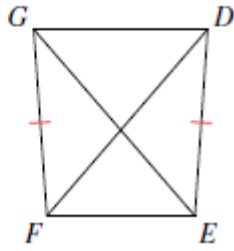
$KM = 22$

Find JL

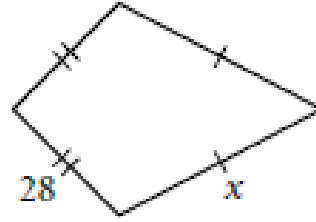


9.

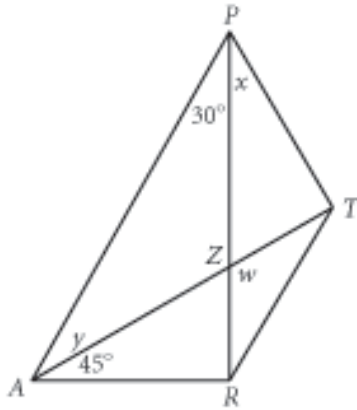
$DF = 8.7$
Find EG



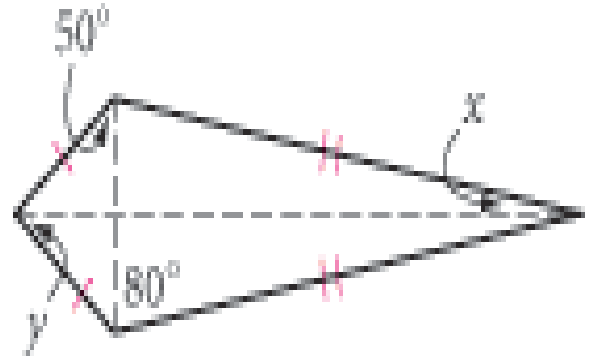
10. The perimeter of this kite is 116. Find x .



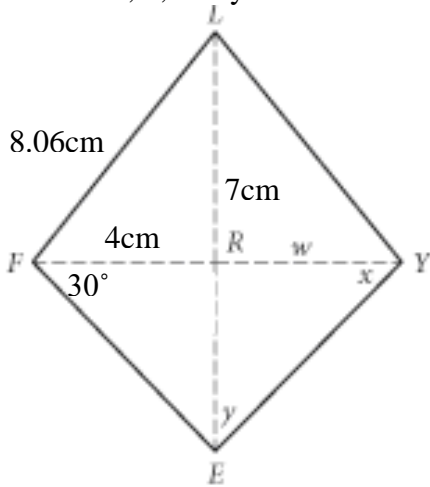
11. $ARTP$ is an isosceles trapezoid with $RA = PT$.
Find w , x , and y .



12. Find x and y .



13. $FLYE$ is a kite with $FL = LY$.
Find w , x , and y .



14. $x =$ _____

$y =$ _____

